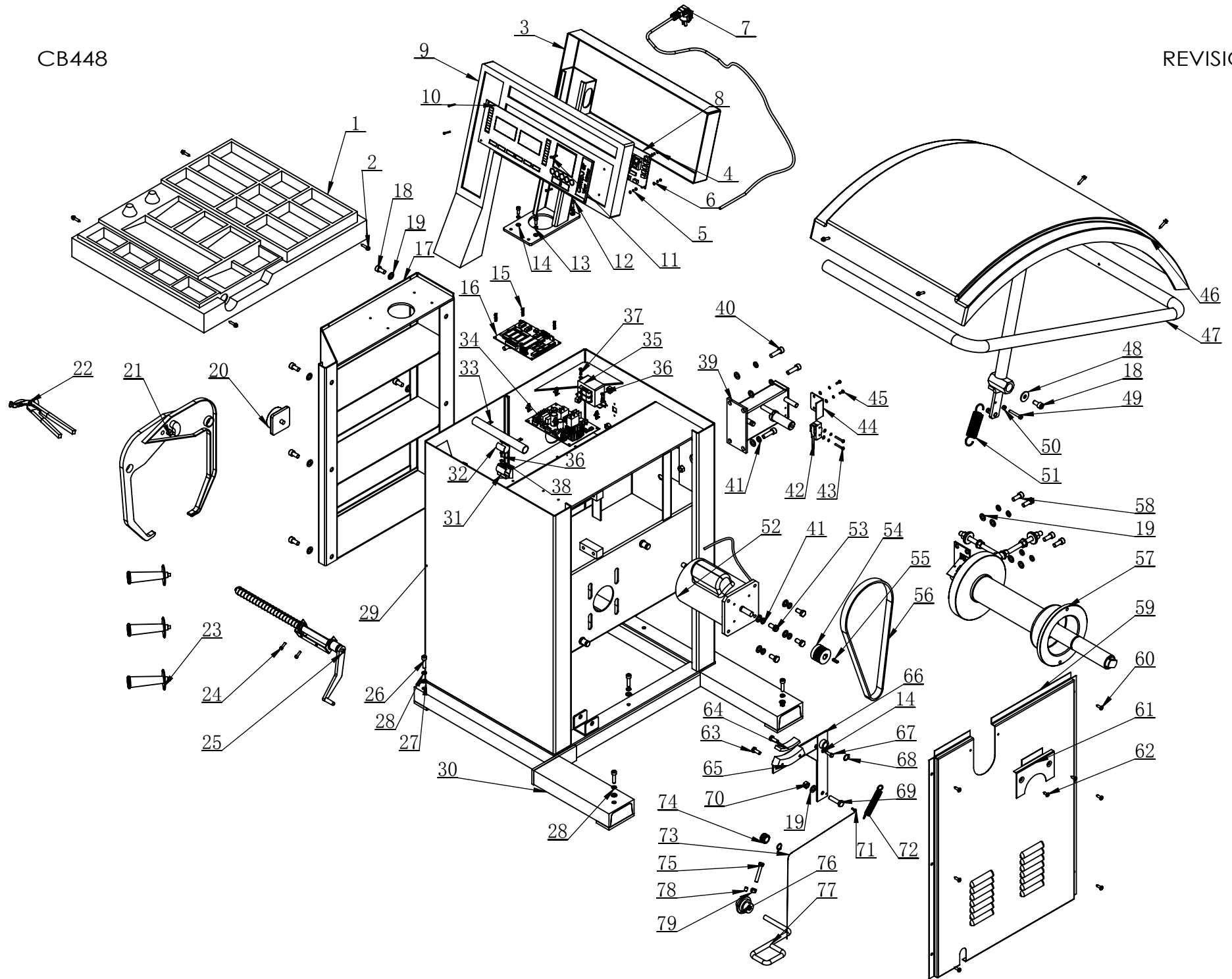


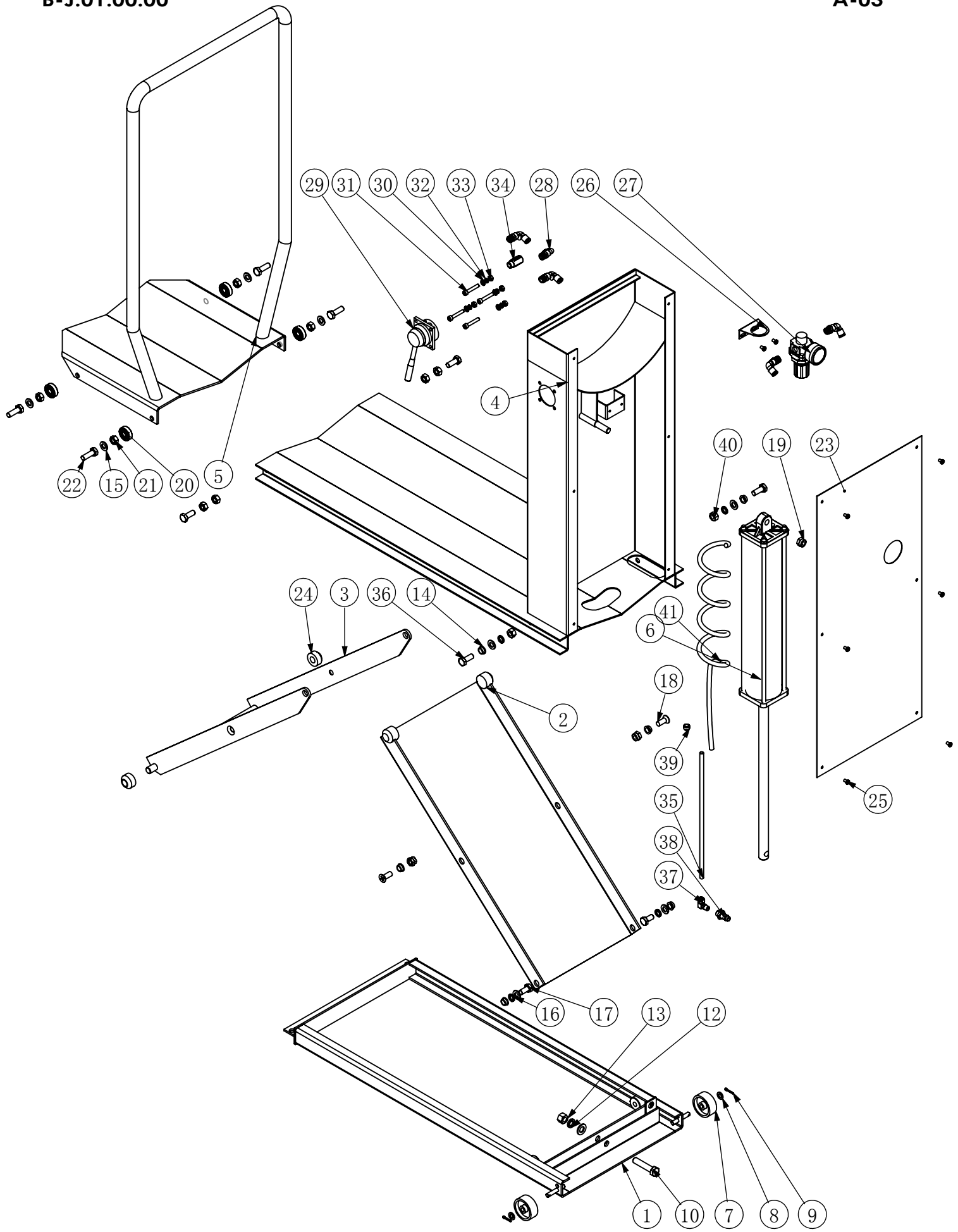
CB448

REVISION A-04



## LARGE WHEEL BALANCER

| ITEM | QTY. | PART NO. | DESCRIPTION.              | ITEM | QTY. | PART NO. | DESCRIPTION.       |
|------|------|----------|---------------------------|------|------|----------|--------------------|
| 1    | 1    | 6008701  | WEIGHT TRAY               | 61   | 1    | 6008622  | RETAINING PLATE    |
| 2    | 8    | 5002034  | SCREW ST5.5x25            | 62   | 2    | 5008082  | SCREW ST5.5X16     |
| 3    | 1    | 6008704  | CONTROL PANEL SUPPORT     | 63   | 2    | 5010077  | BOLT M8X20         |
| 4    | 16   | 5008026  | NUT M3                    | 64   | 1    | 5508204  | BRAKE PLATE        |
| 5    | 8    | 5000079  | WASHER 3                  | 65   | 1    | 6008629  | CIRCULAR BLOCK     |
| 6    | 8    | 5010214  | WASHER 3                  | 66   | 1    | 6008628  | PULLING PLATE      |
| 7    | 1    | 5508206  | POWER CABLE               | 67   | 1    | 5008101  | BOLT M6X20         |
| 8    | 1    | 5508207  | PC BOARD                  | 68   | 2    | 5008084  | RING 16            |
| 9    | 1    | 5508208  | PC COVER                  | 69   | 1    | 5000089  | BOLT M10X40        |
| 10   | 1    | 5508209  | KEYBOARD                  | 70   | 1    | 5010004  | NUT M10            |
| 11   | 4    | 5008032  | SCREW M3X25               | 71   | 1    | 5010037  | SCREW M4X10        |
| 12   | 4    | 5009015  | SCREW M6X16               | 72   | 1    | 5508205  | SPRING             |
| 13   | 4    | 5010058  | WASHER 6                  | 73   | 1    | 5508204  | BRAKE THEAD        |
| 14   | 5    | 5000007  | WASHER 6                  | 74   | 1    | 6008627  | ROPE GUIDING WHEEL |
| 15   | 8    | 5508003  | PLASTIC CLIPPER           | 75   | 1    | 5004241  | BOLT M8X50-N       |
| 16   | 1    | 5508201  | CPU BOARD                 | 76   | 1    | 6008626  | ROLLING ROPE WHEEL |
| 17   | 1    | 6008705  | TOOL BRACKET WELDING      | 77   | 1    | 6008625  | PEDAL              |
| 18   | 7    | 5006008  | SCREWS M10X20-N           | 78   | 1    | 5004065  | SCREWS M8X10       |
| 19   | 20   | 5004221  | WASHER 10                 | 79   | 1    | 5002060  | NUT M8             |
| 20   | 1    | 5508091  | TWIST SWITCH              |      |      |          |                    |
| 21   | 1    | 5508032  | CALIPER ASSEMBLY          |      |      |          |                    |
| 22   | 1    | 5508068  | BALANCE HAMMAR            |      |      |          |                    |
| 23   | 3    | 5508006  | CONE HANG HANDLE          |      |      |          |                    |
| 24   | 2    | 5002059  | SCREW M5X16-N             |      |      |          |                    |
| 25   | 1    | 6000026  | SCALE ASSEMBLY            |      |      |          |                    |
| 26   | 5    | 5004060  | SCREW M8X30-N             |      |      |          |                    |
| 27   | 5    | 5000018  | WASHER 8                  |      |      |          |                    |
| 28   | 5    | 5004046  | WASHER 8                  |      |      |          |                    |
| 29   | 1    | 6008703  | BODY WELDING              |      |      |          |                    |
| 30   | 1    | 6008617  | BASE SEAT ASSEMBLY        |      |      |          |                    |
| 31   | 1    | 5508029  | RESISTANCE CLAMP          |      |      |          |                    |
| 32   | 1    | 5508022  | INSULATION WASHER         |      |      |          |                    |
| 33   | 1    | 5508004  | UNIVERSAL RESISTOR(20 Ω)  |      |      |          |                    |
| 34   | 1    | 5508200  | POWER BOARD               |      |      |          |                    |
| 35   | 1    | 5508005  | TRANSFORMER 380V          |      |      |          |                    |
| 36   | 3    | 5008070  | SCREW M4X12               |      |      |          |                    |
| 37   | 7    | 5000068  | WASHER 4                  |      |      |          |                    |
| 38   | 7    | 5010040  | WASHER 4                  |      |      |          |                    |
| 39   | 1    | 6008706  | PROTECTIVE HOOD SUPPORT   |      |      |          |                    |
| 40   | 4    | 5008071  | SCREW M10X35              |      |      |          |                    |
| 41   | 12   | 5010006  | WASHER 10                 |      |      |          |                    |
| 42   | 1    | 5508009  | STROKE SWITCH             |      |      |          |                    |
| 43   | 2    | 5008050  | SCREW M4X30               |      |      |          |                    |
| 44   | 1    | 6008586  | PROTECTIVE PLATE          |      |      |          |                    |
| 45   | 2    | 5008007  | SCREW M4X12               |      |      |          |                    |
| 46   | 1    | 5508048  | CRESCENT PROTECTIVE COVER |      |      |          |                    |
| 47   | 1    | 6008568  | PROTECTIVE HOOD SUPPORTT  |      |      |          |                    |
| 48   | 1    | 5004005  | WASHER 10                 |      |      |          |                    |
| 49   | 1    | 5010147  | SCREW M6X40               |      |      |          |                    |
| 50   | 1    | 5004008  | NUT M6                    |      |      |          |                    |
| 51   | 1    | 5508058  | PROTECTIVE HOOD SPRING    |      |      |          |                    |
| 52   | 1    | 5508001  | BALANCER MOTER (380V)     |      |      |          |                    |
| 53   | 4    | 5008041  | BOLT M10X20               |      |      |          |                    |
| 54   | 1    | 6000397  | MOTOR BELT PULLEY         |      |      |          |                    |
| 55   | 1    | 5008100  | PIECE KEYS 5X20           |      |      |          |                    |
| 56   | 1    | 5508203  | POLT                      |      |      |          |                    |
| 57   | 1    | 6008828  | WHEEL BALANCER MAIN SHAFT |      |      |          |                    |
| 58   | 4    | 5010064  | SCREW M10X25              |      |      |          |                    |
| 59   | 1    | 6008622  | SIDE SEALING PANEL        |      |      |          |                    |
| 60   | 6    | 5008081  | SCREW ST5.5X19            |      |      |          |                    |



## LIFTER ASSEMBLY

| ITEM | QTY. | PART NO. | DESCRIPTION.                |
|------|------|----------|-----------------------------|
| 1    | 1    | 6008707  | BASE                        |
| 2    | 1    | 6008826  | LIFT PLATFORM SUPPORT PLATE |
| 3    | 1    | 6008827  | LIFT PLATFORM SUPPOR        |
| 4    | 1    | 6008708  | CRANE                       |
| 5    | 1    | 6008709  | LIFTER ASSEMBLY             |
| 6    | 1    | 6008829  | TURNTABLE CYLINDER          |
| 7    | 2    | 6008710  | BOTTOM SHAFT ROLLER         |
| 8    | 2    | 5008107  | WASHER 8                    |
| 9    | 2    | 5008104  | PIN                         |
| 10   | 1    | 5008108  | BOLT M12X55                 |
| 11   | 1    | 5009016  | WASHER 12                   |
| 12   | 1    | 5008118  | WASHER 12                   |
| 13   | 1    | 5008120  | NUT M12                     |
| 14   | 6    | 6008711  | ROTATING COVER              |
| 15   | 8    | 5008072  | WASHER 10                   |
| 16   | 4    | 5008119  | WASHER 10                   |
| 17   | 2    | 5008109  | BLOLT M10X20                |
| 18   | 2    | 5008111  | SCREW M10X25                |
| 19   | 3    | 5008112  | NUT 10                      |
| 20   | 4    | 5008114  | BEARING                     |
| 21   | 8    | 5008120  | NUT M10                     |
| 22   | 4    | 5008115  | BOLT M10X30                 |
| 23   | 1    | 6008713  | LIFTER HOUSING PLATE        |
| 24   | 2    | 6008714  | ROTATING ROLLER             |
| 25   | 9    | 5008116  | SCREW M5X8                  |
| 26   | 1    | 5508213  | PRESSURE REDUCING BRACKET   |
| 27   | 1    | 6004514  | ADJUSTING VALVE             |
| 28   | 5    | 5508212  | INSER ELBOWR R1/4 $\Phi$ 6  |
| 29   | 1    | 5508214  | SWITCH                      |
| 30   | 4    | 5008063  | FASTENER WASHER SMWC 6      |
| 31   | 4    | 5008121  | SCREW M6X35                 |
| 32   | 4    | 5008122  | WASHER 6                    |
| 33   | 4    | 5008123  | NUT M6                      |
| 34   | 1    | 5010047  | MUFFLER $\Phi$ 8            |
| 35   | 1    | 6008715  | COPPER PIPE                 |
| 36   | 4    | 5008117  | BOLT M10X25                 |
| 37   | 1    | 5508216  | INSER ELBOW $\Phi$ 8 U01    |
| 38   | 1    | 5508217  | SOURCE CONNECT              |
| 39   | 1    | 5500016  | CLAMP BUSHING               |
| 40   | 2    | 5008124  | NUT M10                     |
| 41   | 1    | 5508219  | SCREW HOSE                  |